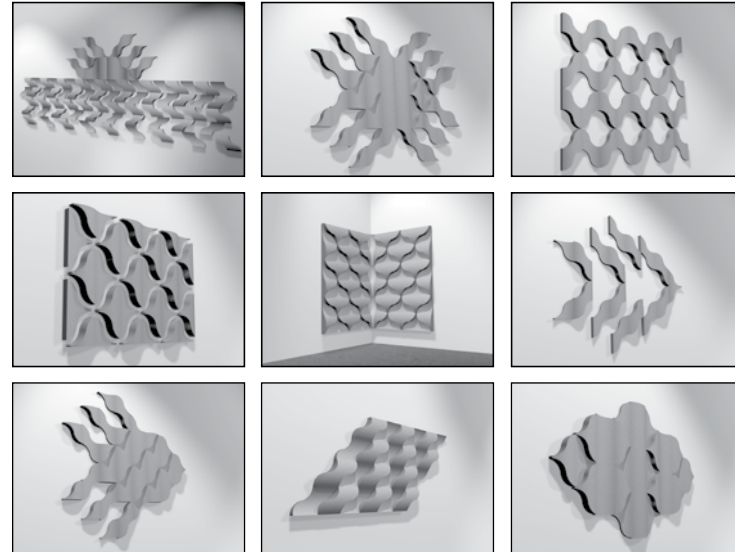
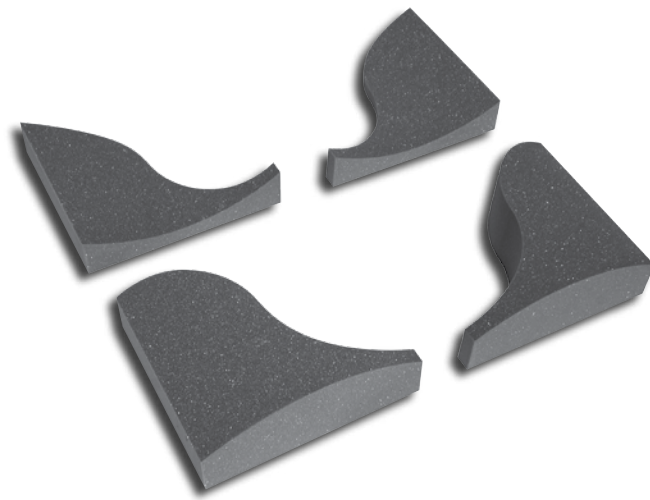


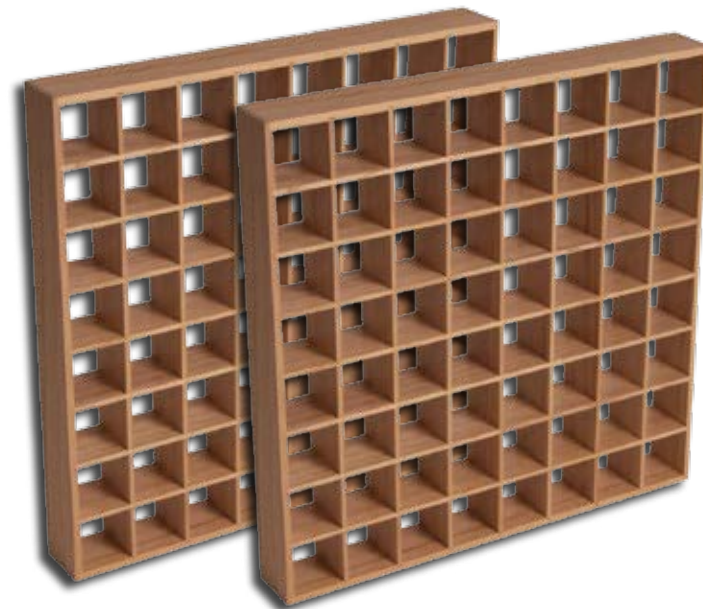
Auralex® pArtScience™ Products:



AudioTile™ Shockwave™



SpaceArrays™



SpaceCouplers™

For additional **Auralex® Total Sound Control®** products
Visit www.Auralex.com



Installation Guidelines

Thank you for purchasing **pArtScience™ SpaceArray™**, the next generation of acoustical treatments from **Auralex® Acoustics**. Designed by *Russ Berger*, **pArtScience SpaceArray** diffusers evenly and randomly disperse sound waves to provide a consistent acoustical environment in any room. Unlike other high-end diffusers, the **SpaceArray** employs a quasi-random array using state-of-the-art engineering techniques, and carefully selected, high-quality materials for superior sound diffusion.

- ★ **Outstanding Performance:** Eliminates flutter echoes and other acoustical anomalies without removing acoustical energy from the space.
- ★ **Quasi-Random Array:** Randomization of reflections evenly distributes sound in a space, taking the guesswork out of microphone placement and mixing. *It just sounds better!*
- ★ **Modular:** 2' by 2' panels used in a variety of applications and placement options, including "T-Bar" grids.
- ★ **Easy Installation:** Strong and lightweight, can be mounted in minutes on the wall or ceiling.
- ★ **Beautiful Solid Wood Construction:** Widely used for musical instruments and decorative finishes for over 1000 years, Paulownia wood has one of the highest strength-to-weight ratios of any wood in the world.

Most spaces can benefit from the introduction of properly designed and located diffusion; only the quantity and placement varies. Diffusion has been successfully implemented in studios, control rooms, concert halls, gymnasiums, meeting rooms, sanctuaries, and more. The proper balance of diffusive and absorptive surfaces varies with room size and function, so your dealer or **Auralex** representative will be glad to assist you in choosing the proper type and quantity of diffusers and can advise you as to the best location for the devices in your particular space.

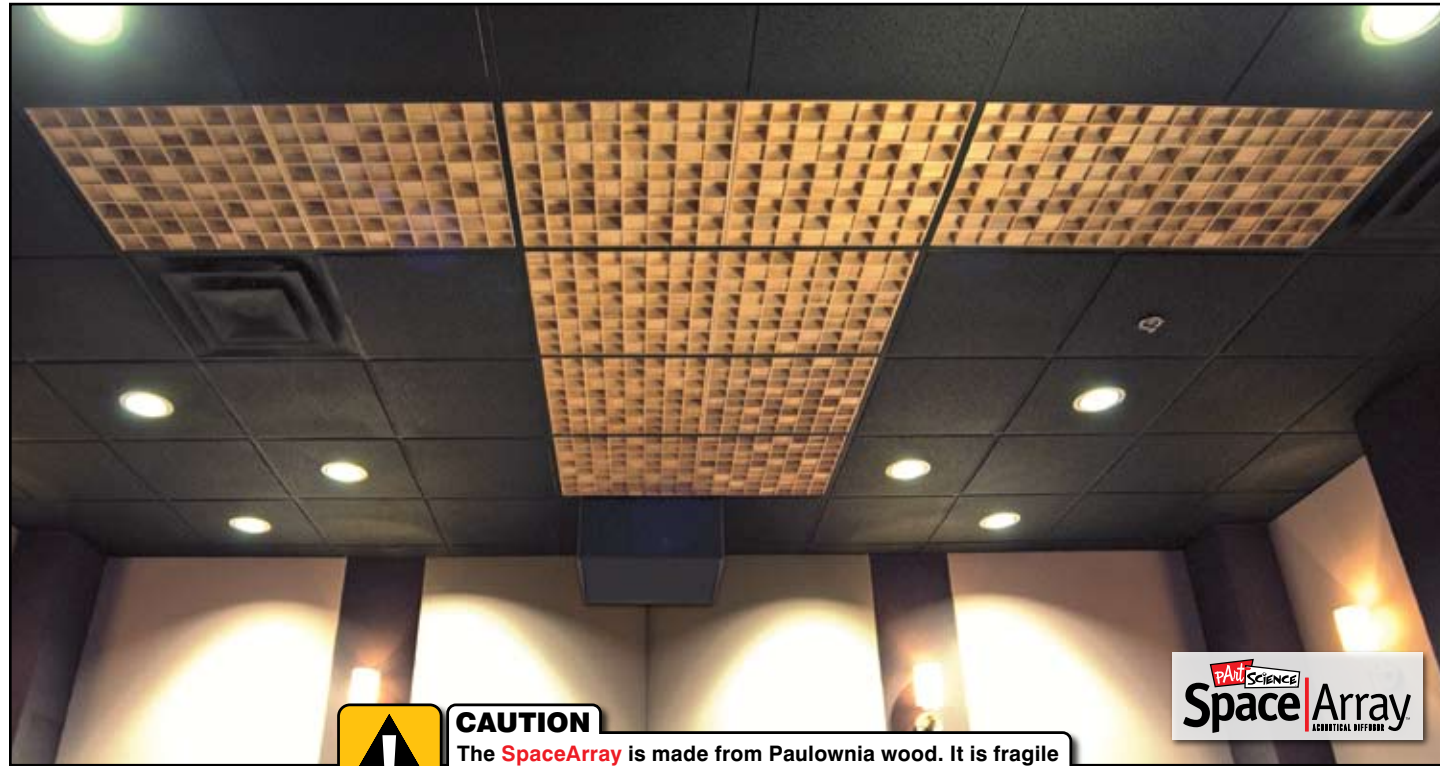
Feel free to contact an **Auralex Application Specialist** via email at appsupport@auralex.com or call **1-800-95-WEDGE**. For best results, fill out a **Personalized Room Analysis Form** (<http://www.auralex.com/pcf/>) before calling so the application specialist can properly assist you.

Thank you for Purchasing Auralex® Total Sound Control® Products



SpaceArray™ Dropped Ceiling T-Bar Grid Mounting

The **SpaceArray** drops into place easily in any 2'x2' ceiling grid system. To install a grid system, please refer to the manufacturers installation instructions.





CAUTION

The **SpaceArray** is made from Paulownia wood. It is fragile and should be handled like any musical instrument.



SpaceArray™ Wall Mounting

Wall Mounting Components:

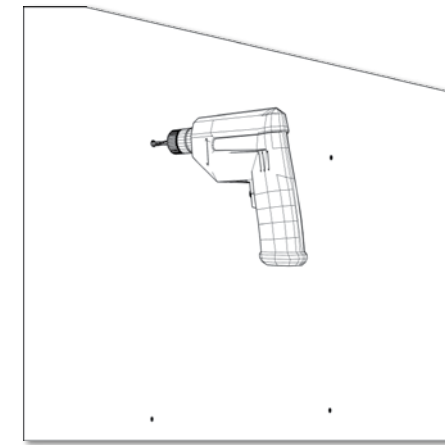
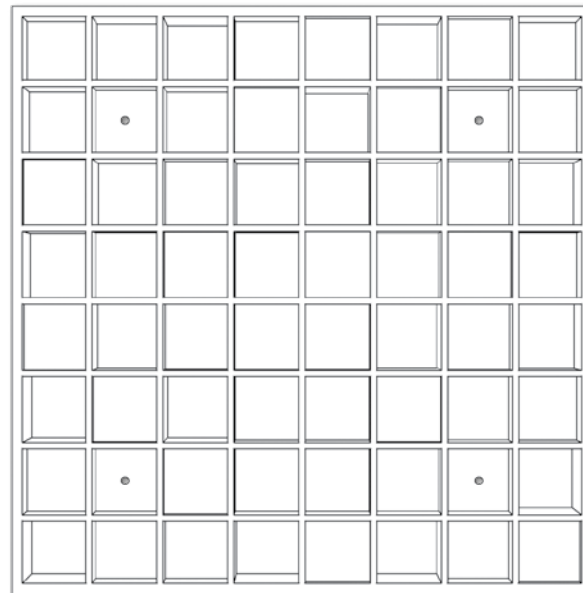
(4) Paulownia Wood Well Covers	(4) Foam Spacers
	

Tools Needed

1	Drill
4	3" or 4" Wood Screws
1	Screwdriver
1	Carpenters Level

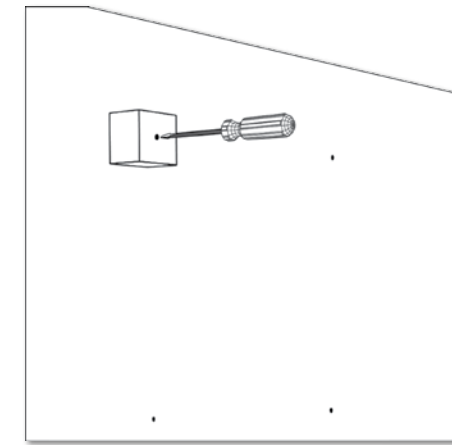
1

Position SpaceArray in desired location.
Use a level if needed.
Mark the location for pilot holes.



2

Drill pilot holes at marked location from Step 1.

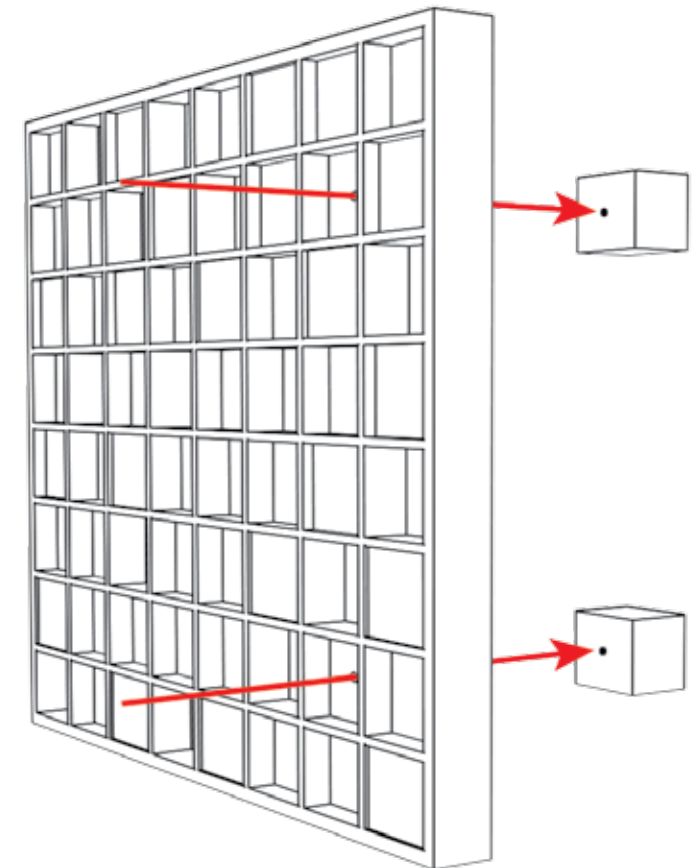


3

Attach Foam Spacers to wall using screws.
Caution: Do not overtighten.

4

Position SpaceArray in proper location over Foam Spacers.
Press firmly into place.



5

Insert Paulownia wood well covers to hide the screw holes.



TIP

Do not force well cover into well. If necessary, sand the well cover edges to ensure a proper fit.

